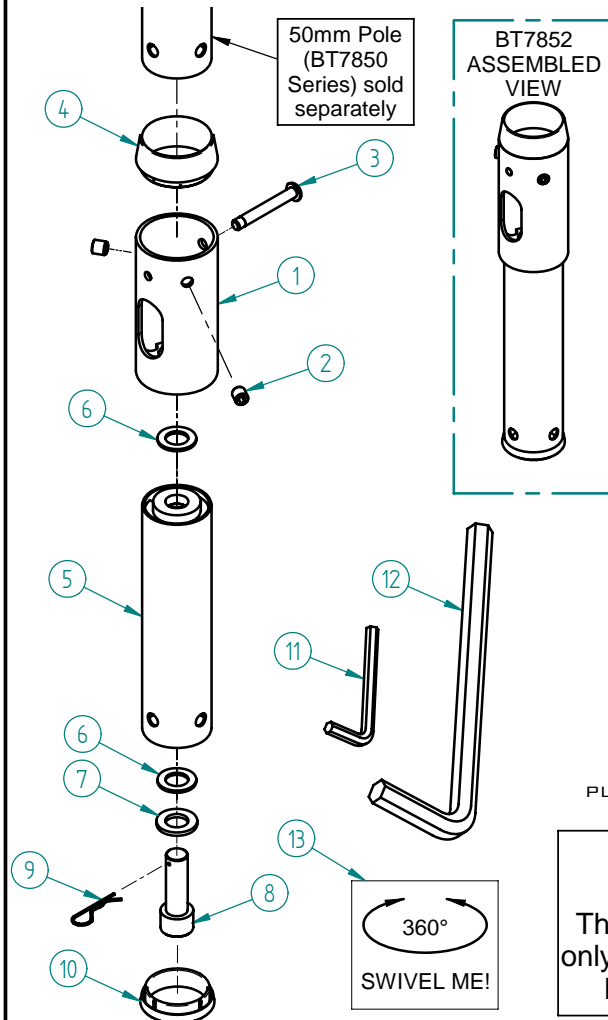




BT7852

SWIVEL ADAPTOR FOR 50MM (2") POLES



PARTS LIST

| No | PART NAME | QTY |
|----|---|-----|
| 1 | 60mm CLAMP TUBE | 1 |
| 2 | M10 X 10 GRUB SCREW | 2 |
| 3 | M8 X 60 SAFETY BOLT | 1 |
| 4 | TAPER TRIM | 1 |
| 5 | 50mm POLE 0.2M LENGTH | 1 |
| 6 | M16 OD28.5 T2 NYLON WASHER | 2 |
| 7 | M16 OD30 T2 STEEL WASHER | 1 |
| 8 | M16 X 50 ALLEN SCREW | 1 |
| 9 | R-CLIP (OPTIONAL) | 1 |
| 10 | POLE END RING | 1 |
| 11 | 5mm ALLEN KEY (FOR PARTS 2 & 3) | 1 |
| 12 | 14MM LONG ALLEN KEY (FOR PART 8) | 1 |
| 13 | 'SWIVEL ME!' STICKER (OPTIONAL) Attach to AV equipment or BT7852 | 1 |

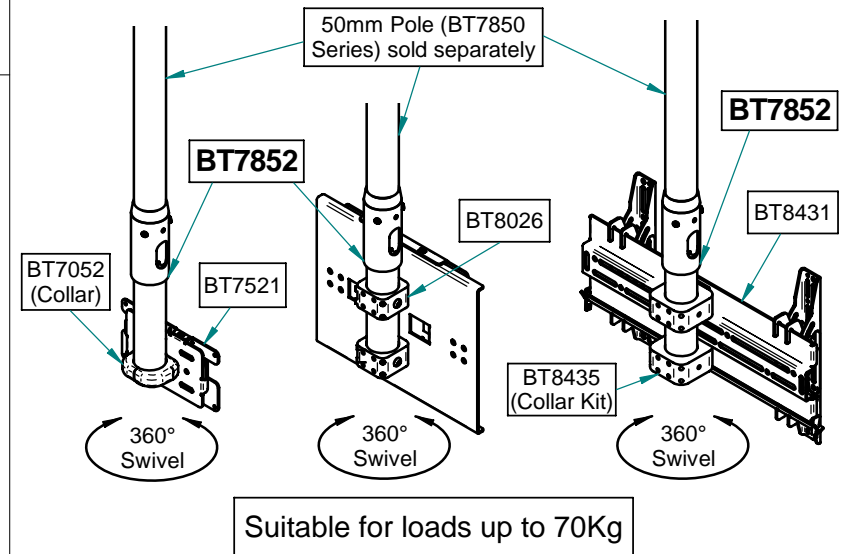
PLEASE KEEP THIS PARTS LIST FOR FUTURE REFERENCE

IMPORTANT

This product mounts to B-Tech 50mm (2") poles only (cannot be mounted directly to ceiling mount). For 60mm pole swivel adaptor use BT7018.

TYPICAL INSTALLATIONS

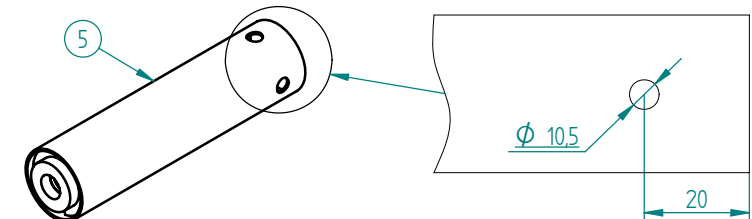
The BT7852 must always be mounted at the bottom of a vertical pole extension. Compatible with all B-Tech 50mm (System 2) accessory collars and poles.



ATTENTION!

Safety bolt holes are provided at the bottom end of the 0.2M length pole. If pole is cut to length during installation then these holes must be re-drilled as shown. Safety bolts are included with all 50mm 'System 2' products and MUST be set in place before any AV equipment is fitted.

SAFETY BOLT HOLE LOCATION



B-Tech International Ltd,
Long March, Daventry, Northants NN11 4NR, UK.
Tel: +44 (0)1327 300 787 Fax: +44 (0)1327 706 562
Email: info@b-tech-int.com

B-Tech PRO-AV bvba,
Brixtonlaan 32, Zaventem 1930, Brussels, Belgium.
Tel: +32 (0)2 720 92 71 Fax: +32 (0)2 725 42 15
Email: info@btechproav.com

B-Tech Audio Video Mounts,
Sparks, NV 89431, USA.
Tel: (1)800 975 5812 Fax: (1)800 592 2876
Email: info@btechavmounts.com

B-Tech International (Hong Kong) Ltd,
23rd Floor, Manulife Tower, North Point, HK.
Tel: (+852) 2556 7337 Fax: (+852) 2556 7321
Email: info@b-tech-int.com.hk

www.btechavmounts.com