

SPRO[®] IP



DHIPD40/2713RV-W

4 MEGAPIXEL IP VANDAL RESISTANT IR DOME CAMERA



4 MEGAPIXEL



2.7-13 MM



30m IR



VANDAL PROOF



IP66



Key Features:

- 4 Megapixel progressive CMOS
- H.264 & MJPEG dual-stream encoding
- 4M@25fps(2688×1520)
- DWDR, Day/Night(ICR), 3DNR, AWB, AGC, BLC
- Multiple network monitoring: Web viewer & CMS(SPRO CSS)
- 2.7~13mm varifocal lens
- Max IR LEDs Length 30m
- IP66 waterproof and IK10 vandal resistance
- DC12V/POE

SPECIFICATIONS

Model Number	DHIPD40/2713RV-W
Image Sensor	1/3" 4Megapixel progressive scan CMOS
Effective Pixels	2688(H)x1520(V)
Scanning System	Progressive
Electronic Shutter Speed	Auto/Manual, 1/3(4)~1/100000s
Min. Illumination	0.1Lux/F1.4(Color), 0Lux/F1.4(IR on)
S/N Ratio	More than 50dB
Video Output	N/A
Camera Features	
Max. IR LEDs Length	30m

(continued)

(continued)

Day/Night	Auto(ICR)/Color/B/W
Backlight Compensation	BLC / HLC / DWDR
White Balance	Auto/Manual
Gain Control	Auto/Manual
Noise Reduction	3D
Privacy Masking	Up to 4 areas

Lens

Focal Length	2.7mm~13.5mm
Max Aperture	F1.4
Focus Control	Auto
Angle of View	H: 92°~28°

Video

Compression	H.264/ H.264H/ MJPEG	
Resolution	4M(2688×1520)/3M(2304×1296)/1080P(1920×1080)/1.3M(1280×960) 720P(1280×720)/D1(704×576/704×480)/VGA(640×480)/CIF(352×288/352×240)	
Frame Rate	Main Stream	4M(1 ~ 20fps)/1080P (1 ~ 25fps)
	Sub Stream	D1/CIF(1 ~ 25fps)
Bit Rate	H.264H: 40K ~ 8192Kbps	

Audio

Compression	N/A
Interface	N/A

Network

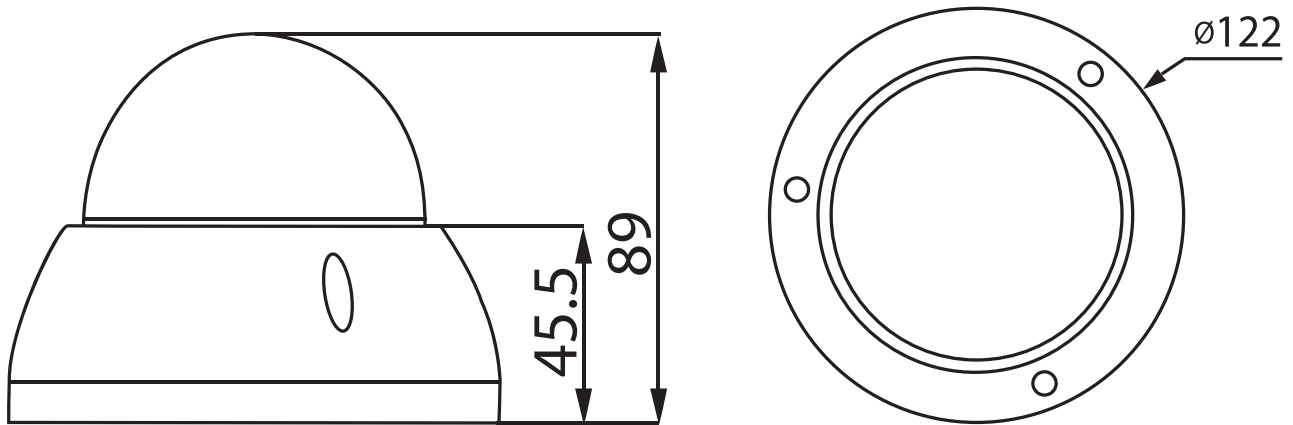
Ethernet	RJ-45 (10/100Base-T)
Wi-Fi	N/A
Protocol	IPv4/IPv6, HTTP, HTTPS, SSL, TCP/IP, UDP, UPnP, ICMP, IGMP, SNMP, RTSP RTP, SMTP, NTP, DHCP, DNS, PPPOE, DDNS, FTP, IP Filter, QoS, Bonjour
Compatibility	ONVIF 2.4
Max. User Access	20 users
Smart Phone	iPhone, iPad & Android

Auxiliary Interface

Memory Slot	N/A
RS485	N/A

(continued)

Alarm	N/A
PIR Sensor Range	N/A
General	
Power Supply	DC12V, POE (802.3af)
Power Consumption	<5.5W
Working Environment	-30°C~+60°C, Less than 95% RH
Ingress Protection	IP66
Vandal Resistance	IK10
Dimensions	Ø122mm X 89mm
Weight	0.5Kg



All specifications are subject to change without notice. Copyright © Luxrite Ltd. All rights reserved