

SPRO[®]

DHQ20/28RW-POC

2Megapixel 1080P POC
Power Over Co-ax cable



2 MEGAPIXEL



2.8MM



15m IR



IP67

POC



Key Features:

- 1080P@25fps
- 2.8mm fixed Lens
- POC (power over co-ax)
- Up to 200m POC transmission distance
- Up to 15M IR distance
- Smart IR
- IP66 waterproof
- DC12V



SPECIFICATIONS

Model Number	DHQ20/28RW-POC
Image Sensor	1/2.7" CMOS
Effective Pixels	1920(H)×1080(V), 2MP
Scanning System	Progressive
Electronic Shutter Speed	1/4~1/100000s
Min. Illumination	0.02Lux/F2.0, 30IRE, 0Lux IR on
S/N Ratio	More than 65dB
Max. IR LEDs Length	Up to 15m
IR On/Off Control	Auto/ Manual
IR LEDs	1

(continued)

Lens

Lens Type	Fixed lens / Fixed iris
Mount Type	Board-in
Focal Length	2.8mm
Max Aperture	F2.0
Angle of View	H:112°
Focus Control	N/A
Close Focus Distance	500mm

Pan/Tilt/Rotation

Pan/Tilt/Rotation Range	Pan:0°~360° / Tilt: 0° ~ 90° / Rotation: 0° ~ 360°
--------------------------------	--

Video

Resolution	1080P (1920×1080)
Frame Rate	25fps@1080P, 25/50fps@720P
Video Output	1-channel BNC HD-CVI video output
Day/Night	Auto (ICR) / Manual
OSD Menu	Multi-language
BLC Mode	BLC / HLC / DWDR
WDR	DWDR
Gain Control	AGC
Noise Reduction	2D
White Balance	Auto / Manual
Smart IR	Auto / Manual

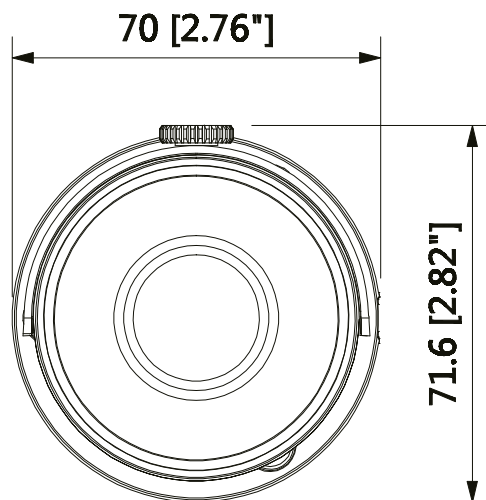
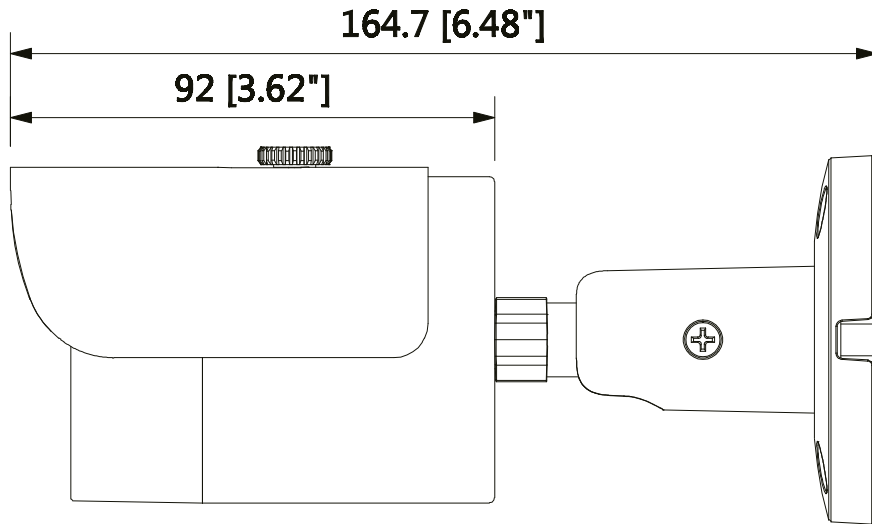
Interface

Audio Interface	Built-in Mic
------------------------	--------------

General

Power Supply	12V DC ±25%
Power Consumption	Max 4.1W (12V DC, IR on)
Operating Conditions	-10°C ~ +50°C / Less than 90% RH
Storage Conditions	-10°C ~ +50°C / Less than 90% RH
Ingress ProtectionCasing	IP67Aluminium

Dimensions	164.7mm×70mm×71.6mm (6.48"×2.76"×2.82")
Net Weight	0.38kg (0.84lb)
Gross Weight	0.30kg (0.66lb)



All specifications are subject to change without notice. Copyright © Luxrite Ltd. All rights reserved