



# PTZCONTROLLER04-IP

## PTZ Control Keyboard

### Key Features:

- Control SPRO IP and CVI PTZ cameras
- 3 axis joystick
- LCD display
- On screen menu
- RJ45, RS485 & USB connection
- Preset Position, Auto Scan, Auto Pan, Auto Tour & Pattern Auxiliary Functions
- On-Screen Menu & User Operation Procedure Tips

## SPECIFICATIONS

<b>Model Number</b>	PTZCONTROLLER04-IP
<b>Keyboard Keypanel</b>	Electromechanical
<b>Joystick</b>	3-axis, vector-solving, with twisting, return to-center head
<b>Keyboard Connector</b>	RJ-45,RS232,RS485,RS422,USB
<b>Keyboard Communication</b>	Direct Mode, Network Mode
<b>Direct Mode</b>	Interface: RS232/2 RS485, DVR Protocol: DH2 Dome Protocol: DH-SD1/PELCO-D/PELCO-P, etc
<b>Network Mode</b>	Interface: RJ45, DVR/Network Dome: IP Address/Port/Protocol
<b>Display</b>	LCD, 75.2mm x 33.85mm

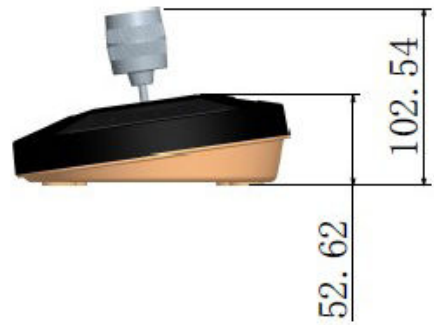
(continued)

<b>Maximum Number of Users</b>	64 (including "admin")
<b>Max RS485 Addresses</b>	256
<b>Max Number of PTZ(IPC)that can be added over Network (Each user)</b>	2048

#### Environmental

<b>Power Supply</b>	Power adapter, input 100V~240V 50Hz/60Hz, output DC12V/2A
<b>Power Consumption</b>	5W
<b>Working Temperature</b>	-10C~+55C
<b>Working Humidity</b>	10% ~ 90%
<b>Atmosphere Pressure</b>	86kpa~106kpa
<b>Dimensions</b>	330mm×139mm×53mm (W×D×H)(height: 103mm including joystick)
<b>Weight</b>	1.3kg

#### Dimensions (mm)



(continued)