

SPRO[®]

SPQ20/36R

2 Megapixel 1080P
HDCVI IR Bullet Camera



2 MEGAPIXEL



3.6 MM



15m IR



1080 P



IP66



Key Features:

- 2Megapixel CMOS
- 1080P@25fps
- HDCVI
- Day/Night(ICR), AWB, AGC, BLC, 2DNR
- 3.6mm fixed lens
- High speed, long distance real-time transmission
- Max. IR distance 15m, Smart IR
- IP66 waterproof
- DC12V



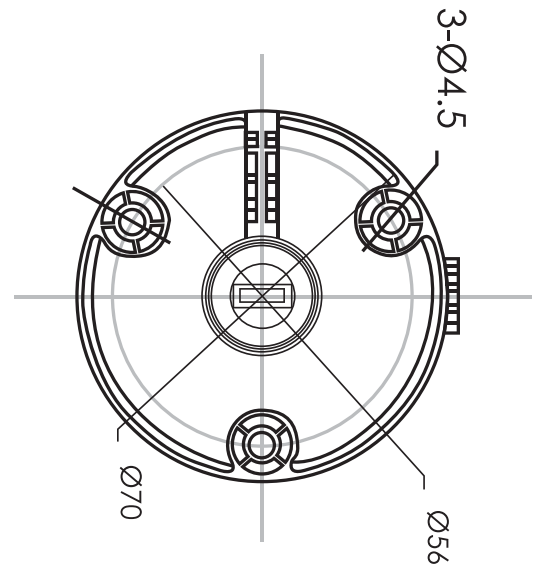
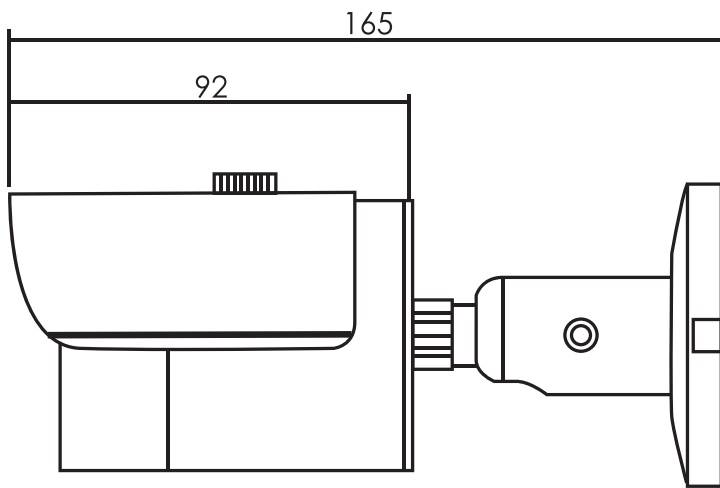
SPECIFICATIONS

Model Number	SPQ20/36R
Image Sensor	2Megapixel CMOS
Effective Pixels	1920(H) × 1080(V)
Electronic Shutter Speed	1/50s~1/100,000s
Video Frame Rate	1080P@25fps
Synchronization	Internal
Min. Illumination	0.02Lux/F2.0, 0Lux IR on
Video Output	1-channel BNC HDCVI high definition video output
Camera Features	
Max. IR distance	15m, Smart IR

(continued)

(continued)

Day/Night	Yes
Lens	
Focal Length	3.6mm
Angle of View	70°
General	
Power Supply	DC12V±20%
Power Consumption	Max 2.5W
Working Environment	-30°C~+60°C / Less than 95%RH (no condensation)
Waterproof	IP66
Dimensions	Ø70mm × 165mm
Weight	0.38Kg(with package 0.44 Kg)



All specifications are subject to change without notice. Copyright © Luxrite Ltd. All rights reserved