



# DHANPRIPQ20/1050R/30M-V2

2 MEGAPIXEL ANPR IP IR BULLET CAMERA



2 MEGAPIXEL



10~50 MM



30m IR



IP67



### Key Features:

- 2 Megapixel progressive CMOS
- H.265 & H.264
- 2M@25fps(1920×1080)
- Support plate cutout, overview picture snapshot and video recording
- Suitable for the ANPR detection and recognition in low speed environment, such as parking, access control and urban street.
- 10~50mm Motorised lens
- Max IR LEDs Length 30m (ANPR only)
- IP67 waterproof
- POE+



## SPECIFICATIONS

<b>Model Number</b>	DHANPRIPQ20/1050R/30M-V2
<b>Illuminator</b>	6 IR illuminators (brightness adjustable)
<b>Image Sensor</b>	2 Megapixel progressive scan CMOS
<b>Image Resolution</b>	1920 × 1080 (OSD black strip excluded)
<b>Video Resolution</b>	Main stream: 1080P (1920 × 1080) / 720P (1280 × 720) Sub stream: 720P (1280 × 720) / D1 (704 × 576, 704 × 480) / CIF (352 × 288, 352 × 240)
<b>Video Frame Rate</b>	PAL: Main stream (1920 × 1080@25fps, 1280 × 720@25fps), sub stream: (1280 × 720@25fps, 704 × 576@25fps, 352 × 288@25fps) NTSC: Main stream (1920 × 1080@30fps, 1280 × 720@30fps), sub stream (1280 × 720@30fps, 704 × 408@30fps, 352 × 240@30fps)

<b>Bit Rate</b>	H.264B: 32Kbps–32768Kbps H.264M: 32Kbps–32768Kbps H.264H: 32Kbps–32768Kbps H.265: 32Kbps–32768Kbps MJPEG: 512Kbps–65536Kbps
<b>Video Encoding</b>	H.264B/H.264M/H.264H/H.265/MJPEG
<b>Image Encoding</b>	JPEG
<b>Noise Reduction</b>	3DNR
<b>White Balance</b>	Full auto; auto color temperature range; customized color temperature
<b>Electronic Shutter</b>	1/50–1/10000, auto or manual
<b>Wide Dynamic Range</b>	96db
<b>Edge Enhancement</b>	Yes
<b>Exposure Mode</b>	Full auto; customized auto; customized
<b>Iris</b>	Auto iris (W:1.3–T:2.3)
<b>Function</b>	
<b>Trigger Mode</b>	Video detection; I/O coil; video detection and I/O coil
<b>Shutter</b>	Single shutter
<b>Storage</b>	1 built-in TF card port. Kingston 16G, 32G and 64G; Dahua 16G, 32G and 64G; SanDisk 16G, 32G and 64G
<b>Image Tampering Prevention</b>	Yes. Video/picture can be checked through watermark and verification
<b>Max Illumination Distance</b>	30 m (98.43 ft)
<b>Capture Range</b>	8 m–30 m (26.25 ft–98.43 ft)
<b>Detected Lane Width</b>	6 m –7 m (19.69 ft–22.97 ft)
<b>Min Ambient Illuminance</b>	0.002 Lux. Illuminator is designed with the camera for illumination
<b>Max Speed that the Camera Detects</b>	60 km/h
<b>Alarm Event</b>	Alarm in the case of no storage card, not enough storage space, storage card error, network disconnection, IP conflict, and illegal access
<b>Security Mode</b>	Authorized username and password, MAC address binding, HTTPS encryption, IEEE 802.1x, and network access control
<b>OSD Overlay</b>	Supports overlay of time, address (position of channel), lane (number/direction), plate (number and color), vehicle (color, type)

**ANR (Automatic Network Replenishment)** Yes. Platform/FTP

**Auto Register** Yes

#### Interface

**Vehicle Detection** Vehicle capture rate  $\geq 99\%$

**Vehicle Recognition** Supports recognizing vehicle type, vehicle logo, vehicle color, license plate, and vehicle without plate. Vehicle recognition rate  $\geq 95\%$  Auto/Manual

**Video Metadata** Yes

**Intelligent Track Frame** Intelligent frame display. Supports displaying vehicle plate and vehicle path

#### Ports

**Lens** Lens in the camera module

**Analog Output** 1

**Ethernet Port** 1 100/1000M Ethernet port (RJ45)

**RS-485 Port** 2

**RS-232 port** 1

**Alarm Input** 3, optocoupler input (switch quantity)

**Alarm Output** 3 ports. 2-channel optocoupler output, 1-channel relay output, which can connect to devices such as barriers

**Audio Input** 1-channel RCA port

**Audio Output** 1-channel RCA port

#### General

**Power Supply** PoE+

**Power Consumption**  $< 20\text{W}$

**Working Temperature**  $-30^{\circ}\text{C}$  to  $+65^{\circ}\text{C}$  ( $-22^{\circ}\text{F}$  to  $+9^{\circ}\text{F}$ )

**Working Humidity** 10%–90% (no condensation)

**Housing** Metal and plastic

**Protection Grade** IP67

**Dimensions (L×W×H)** 515.2mm×124.7mm×183.2mm (20.28"×4.91"×7.21")

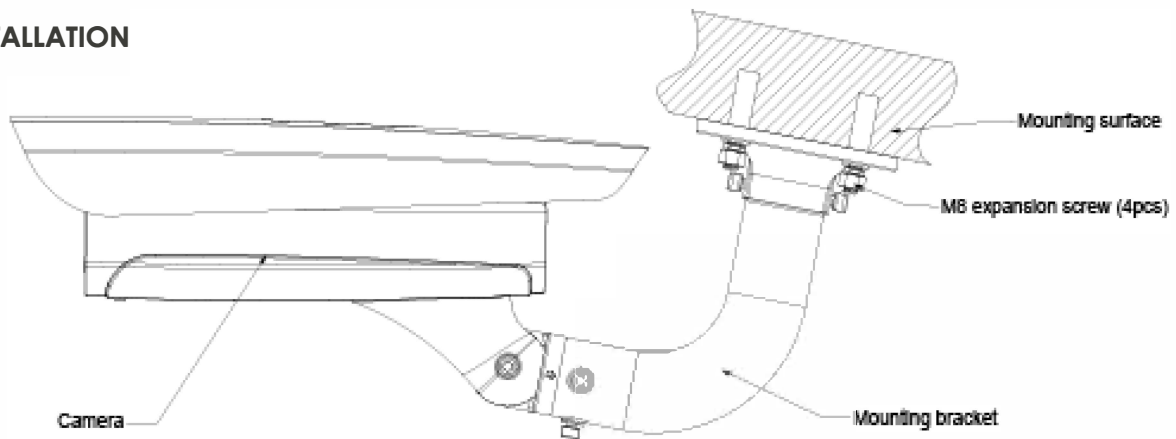
**Net Weight** 1.9kg (4.19lb)

**Gross Weight** 3.3kg (7.28lb)

(continued)

<b>Installation</b>	Universal joint installation
<b>Lens</b>	10mm–50mm (0.39"–1.97")
<b>Certification</b>	
<b>CE, FCC</b>	Yes
<b>RoHS</b>	Yes

## INSTALLATION



## DIMENSIONS (MM[INCH])

