

# SPRO B6<sup>®</sup>



## DHDVR32-B6

32 Channel Penta-brid 4K/5MP 1 U 2HDD Digital Video Recorder



### Key Features:

- H.265+ / H.265 dual-stream video compression.
- Supports 32-channel AI-Coding.
- Supports HDCVI/AHD/TVI/CVBS/IP video inputs.
- Max 32 channels IP camera inputs, each channel up to 8MP; Max 128 Mbps incoming bandwidth.
- Up to 12 channels video stream (analogue channel) perimeter protection.
- Up to 32 channels video stream (analogue channel) SMD plus.
- Up to 6 channels video stream (analogue channel) human face recognition.
- IoT & POS functionalities

### SPECIFICATIONS

Model Number	DHDVR32-B6
Main Processor	Industrial-grade processor
Operating System	Embedded LINUX
Operating Interface	Web; Local GUI

(continued)

## Perimeter Protection

### Performance

Advanced Model: 6 channels, 10 IVS for each channel

General Model: 12 channels, 10 IVS for each channel

## Face Detection

### Face Attributes

Gender; age group; glasses; expressions; face mask; beard

### Face Detection Performance of

6 channels (up to 12 face image/s each channel)

### AI by Recorder

## Face Recognition

### Face Database Capacity

Up to 10 face databases with 20 000 face images in total. Name, gender, birthday, address, certificate type, certificate No., countries & regions and state can be added to each face image.

### Face Recognition Performance of

6 channels

### AI by Recorder

## SMD Plus

### SMD Plus by Recorder

32 channels: Secondary filtering for human and motor vehicle, reducing false alarms caused by leaves, rain and lighting condition change.

## Audio and Video

### Analogue Camera Input

32 BNC ports, supports HDCVI/AHD/TVI/CVBS auto-detect

### Camera Input

1. CVI: 4K@25/30 fps; 6 MP@20 fps; 5 MP@25 fps; 4 MP@25/30 fps; 1080p@25/30 fps; 720p@25/30 fps; 720p@50/60 fps.

2. TVI: 4K@15 fps; 5 MP@20 fps; 4 MP@25/30 fps; 3 MP@25/30 fps; 1080p@25/30 fps; 720p@25/30 fps.

3. AHD: 4K@15 fps; 5 MP@20 fps; 4 MP@25/30 fps; 3 MP@25/30 fps; 1080p@25/30 fps; 720p@25/30 fps.

### IP Camera Input

Up to 32 channels of IPC access

32 channels (analogue channels are converted to IP channels)  
incoming bandwidth: 128 Mbps, recording bandwidth: 128 Mbps  
and outgoing bandwidth: 128 Mbps

<b>Encoding Capacity</b>	Main stream: 4K@(1fps-7fps); 6 MP@(1fps-10fps); 5 MP@(1fps-12fps); 4K-N, 4 MP, 3 MP@(1fps-15fps); 4M-N, 1080p, 720p, 960H, D1,CIF@ (1fps-25/30fps); Sub stream: 960H@(1fps-15fps); D1/CIF@ (1 fps-25/30fps)
<b>Dual-stream</b>	Yes
<b>Video Bit Rate</b>	32kbps-6144kbps
<b>Audio Sampling</b>	8kHz, 16 bit
<b>Audio Bit Rate</b>	64kbps
<b>Video Output</b>	1 HDMI, 1 VGA HDMI: 3840 × 2160, 1920 × 1080, 1280 × 1024, 1280 × 720 VGA: 1920 × 1080, 1280 × 1024, 1280 × 720 *Simultaneous/heterogeneous video sources output for VGA and HDMI is configurable.
<b>Multi-screen Display</b>	1/4/8/9/16/25/36
<b>Third-party Camera Access</b>	ONVIF; Panasonic; Sony; Axis; Arecont; Samsung
<b>Compression Standard</b>	
<b>Video Compression</b>	AI Coding; Smart H.265+; H.265; Smart H.264+; H.264
<b>Audio Compression</b>	G.711a; G.711u; PCM
<b>Network</b>	
<b>Network Protocol</b>	HTTP; HTTPS; TCP/IP; IPv4; RTSP; UDP; SMTP; NTP; DHCP; DNS; DDNS; P2P
<b>Mobile Phone Access</b>	IOS; Android
<b>Interoperability</b>	ONVIF 21.12; CGI
<b>Browser</b>	Chrome, IE9 or later, Firefox
<b>Network Mode</b>	Single-address mode
<b>Recording Playback</b>	
<b>Record Mode</b>	General, motion detection; intelligent; alarm; POS
<b>Recording Playback</b>	1/4/9/16
<b>Backup Method</b>	USB device and network
<b>Playback Mode</b>	Instant playback, general playback, event playback, tag playback, smart playback (face and motion detection)

**Storage**

<b>Disk Group</b>	Yes
-------------------	-----

**Alarm**

<b>General Alarm</b>	Motion detection; video loss; tampering; local alarm
----------------------	--

<b>Anomaly Alarm</b>	No disk; storage error; disk full; camera offline; IP conflict; MAC conflict
----------------------	---

<b>Intelligent Alarm</b>	Face Detection; face recognition; perimeter protection
--------------------------	--

<b>Alarm Linkage</b>	Record; snapshot (panoramic); IPC external alarm output; access controller; voice prompt; buzzer; log; preset; email
----------------------	---

**Ports**

<b>TV Output</b>	1 channel
------------------	-----------

<b>Audio Input</b>	1-channel RCA 32-channel BNC (Coaxial Audio)
--------------------	---

<b>Audio Output</b>	1-channel RCA
---------------------	---------------

<b>Two-way Talk</b>	Yes (share the same audio input with the first channel)
---------------------	---

<b>HDD Interface</b>	2 SATA ports, up to 16TB capacity for each disk. The maximum HDD capacity varies with environment temperature.
----------------------	---

<b>RS-485</b>	1 port, for PTZ control
---------------	-------------------------

<b>USB</b>	2 (1 front USB 2.0 port, 1 rear USB 3.0 port)
------------	---

<b>HDMI</b>	1
-------------	---

<b>VGA</b>	1
------------	---

<b>Network Port</b>	1 (10/100/1000 Mbps Ethernet port, RJ-45)
---------------------	---

**General**

<b>Power Supply</b>	DV12V, 5A
---------------------	-----------

<b>Power Consumption</b>	<32W (without HDD)
--------------------------	--------------------

<b>Net Weight</b>	2.50kg (5.52lb)
-------------------	-----------------

<b>Gross Weight</b>	4.10kg (9.04lb)
---------------------	-----------------

<b>Product Dimensions</b>	375.0 mm × 334.4 mm × 53.0 mm (14.76"×13.17"×2.09") (W×D× H)
---------------------------	--

<b>Operating Temperature</b>	-10 °C to +55 °C (14 °F to +131 °F)
------------------------------	-------------------------------------

<b>Operating Humidity</b>	10%–90% (RH)
---------------------------	--------------

<b>Installation</b>	Rack or Desktop
---------------------	-----------------

## Certifications

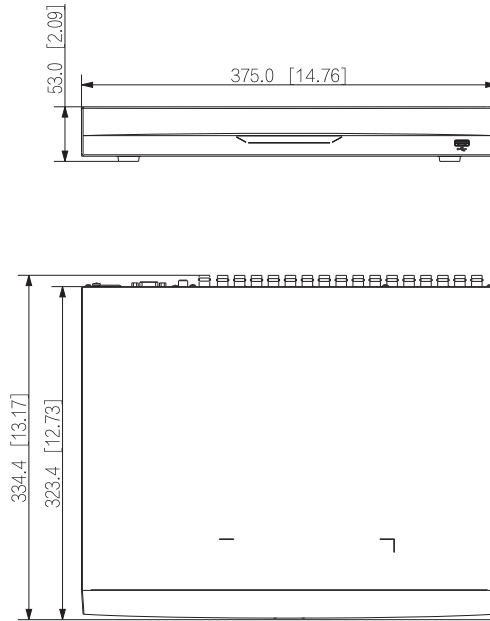
### Certifications

CE: CE-LVD: EN 60950-1/IEC 60950-1

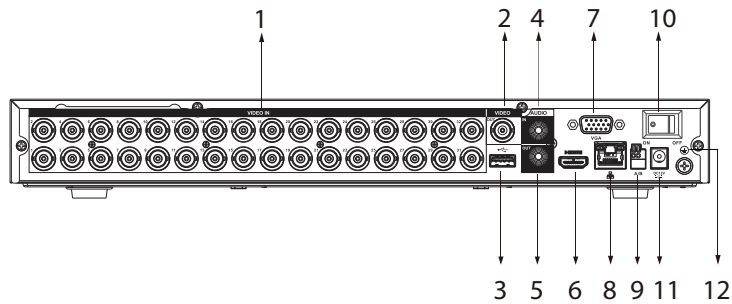
CE-EMC: EN 61000-3-2, EN 61000-3-3, EN 55032, EN 50130, EN 55024

FCC: Part 15 Subpart B

## Dimensions (mm[inch])



## Panels



- |                            |                           |
|----------------------------|---------------------------|
| 1 VIDEO IN                 | 2 VIDEO OUT               |
| 3 USB Port                 | 4 AUDIO IN, RCA Connector |
| 5 AUDIO OUT, RCA Connector | 6 HDMI Port               |
| 7 VGA Port                 | 8 Network Port            |
| 9 RS-485 Port              | 10 Power Switch           |
| 11 Power Input             | 12 Ground                 |