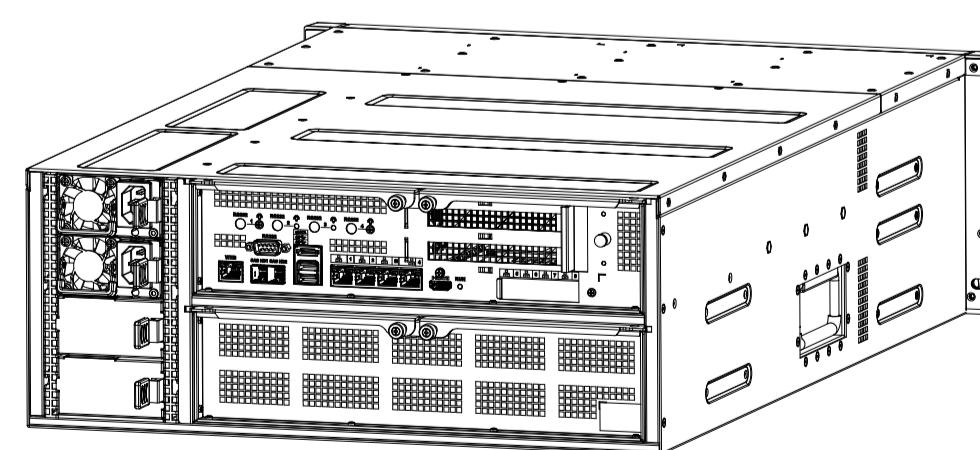
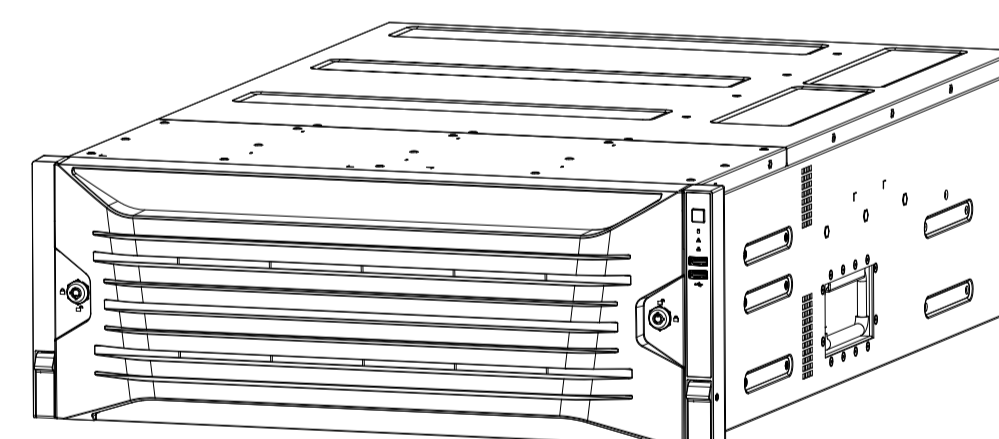
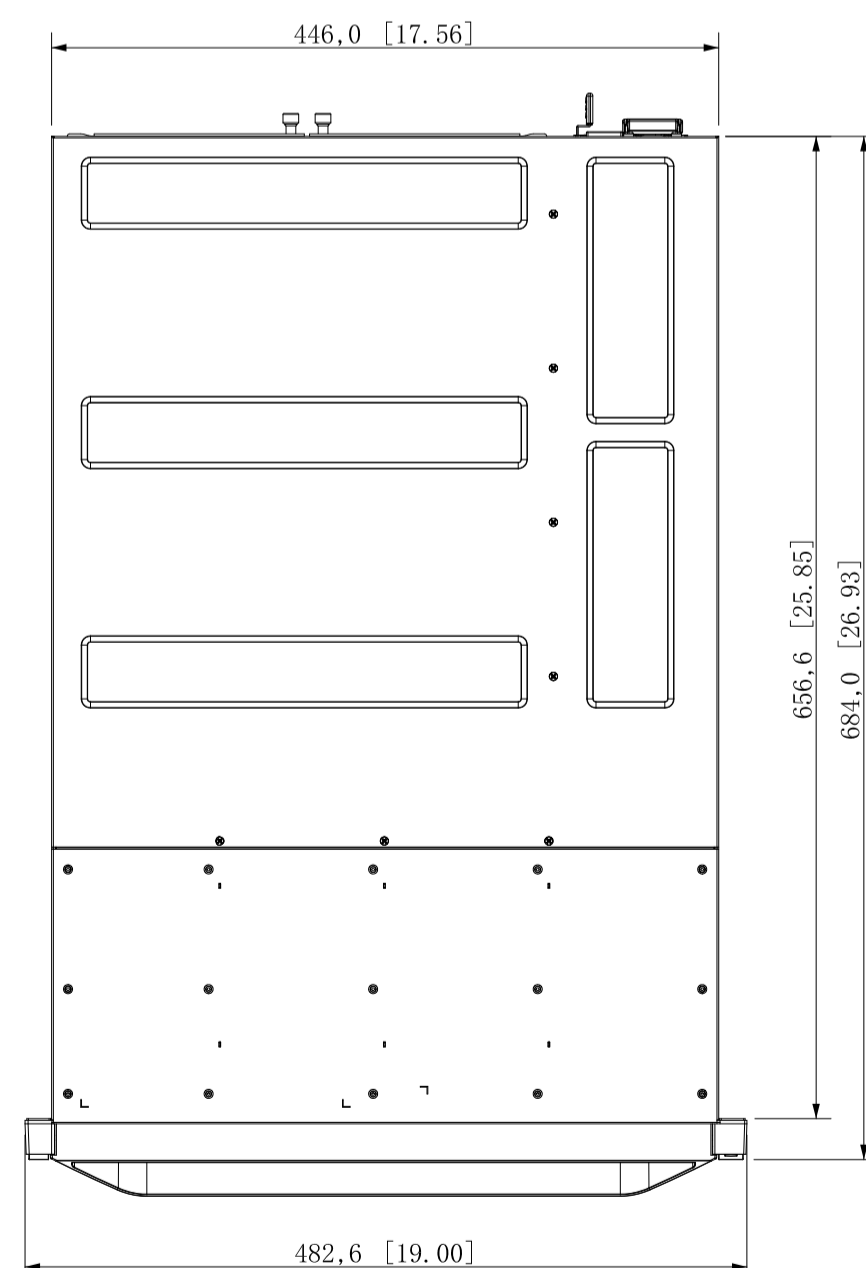
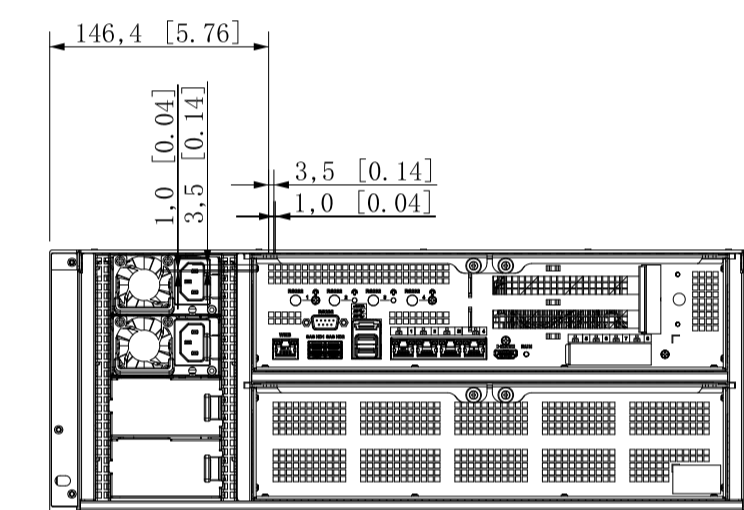
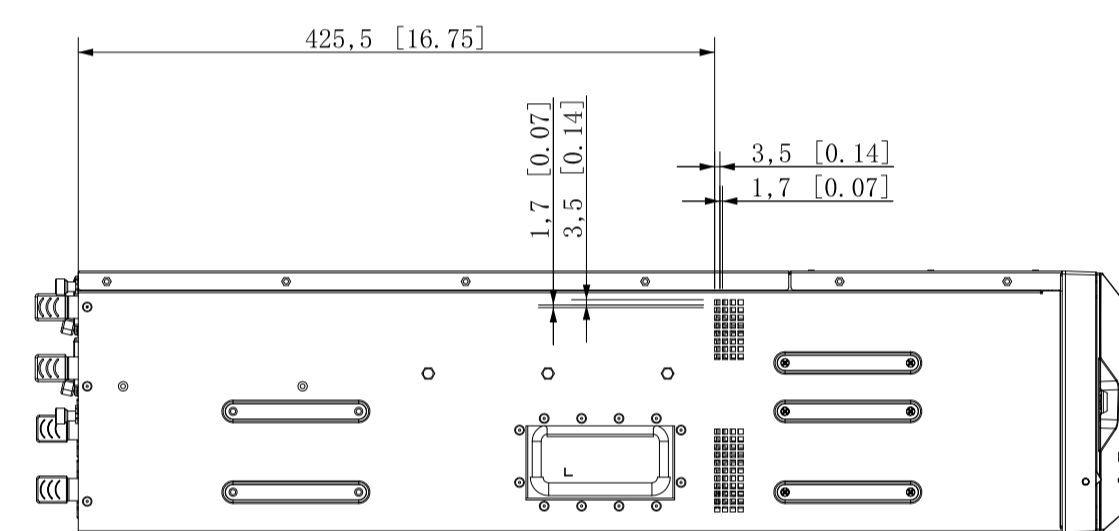
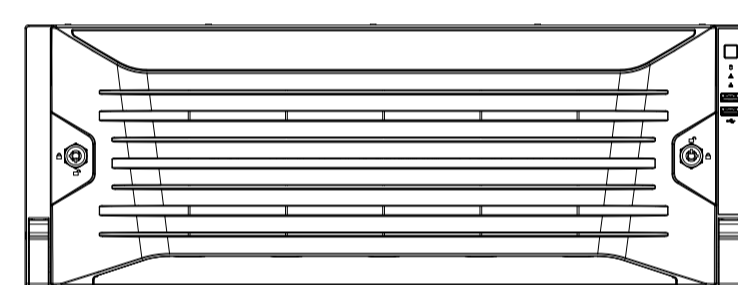
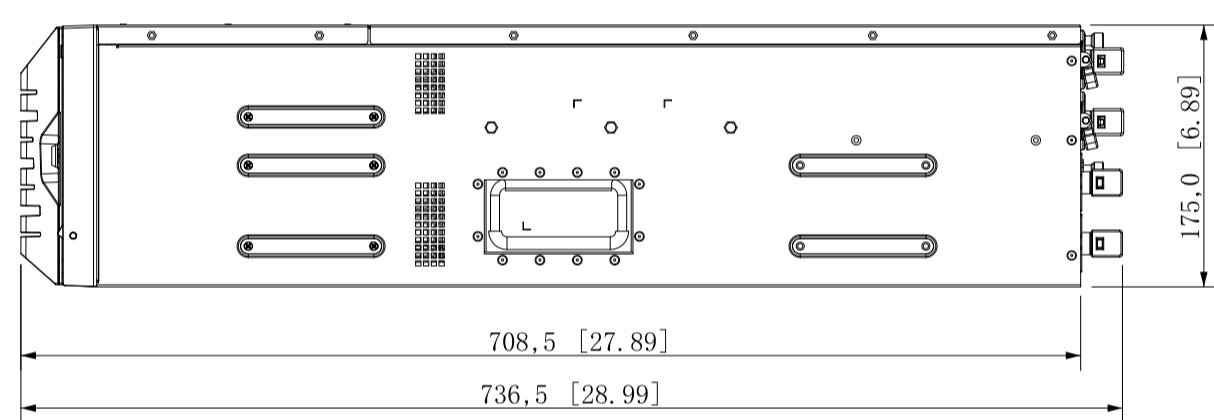
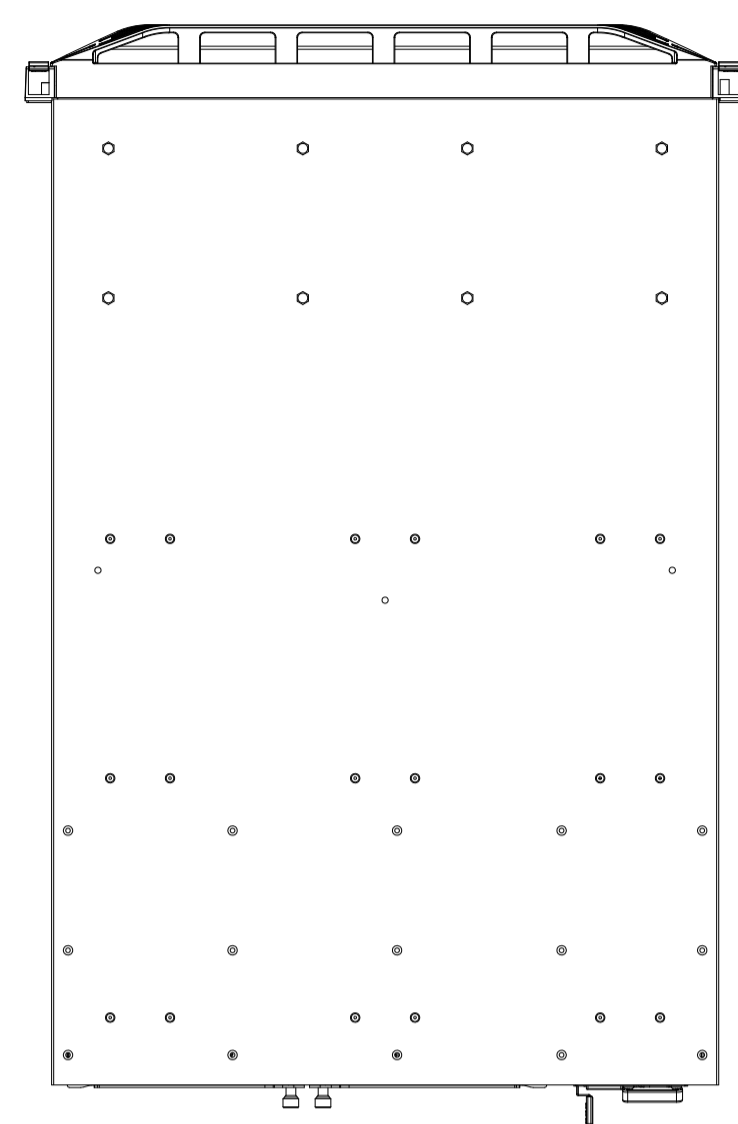


REVISIONS					
REV	ZONE	MARK	DESCRIPTION	DATE	CHANGED



ITEM	DWG NO.	PART NAME	MATERIAL	QTY.	REMARKS
12	DH3-Z464-0403-ZZ	S40001-型NVR624硬盘盒面板组件2总装		24	
11	DH3-Z464-0058	S40001-型NVR724-256机箱右挂耳盖组件		1	
10	DH3-Z464-0057-3	S40001-型NVR7000机箱左挂耳盖组件		1	
9	DH3-RD001130-PCB-14	4U-SKL背板		1	
8	DH3-RD001130-PCB-03	4U-SKL背板		1	
7	DH3-RD001130-0100	S0403C-01-24盘位机箱		1	
6	DH3-RD000350-0104	S0205C-01-2U服务器机箱电源前面板		2	
5	1-2-19-02-10017	冗余服务器电源-AC100V-CRPS-金手	共线: 见工程图	4	
4	0-DH3-RD001130-0126	S0403C-01-24盘位机箱扩展盘组件		1	
3	0-DH3-RD001130-0121	挑战者4U前面板组件		1	
2	0-DH3-RD001130-0104	主控盘总装		2	
1	0-DH3-RD001130-0000_SKE	skeltemp	PC: 帝人-L-12502100	1	

.X	±0.2						TITLE: EVS71-24盘位机箱 DWG NO.: 0-DH3-RD001130-0000
.XX	±0.15						
.XXX	±0.05	ANG	±0.5	DRW:	DATE:	UNIT: S:mm	SCALE: 7:5
<small> THESE DIMENSIONS AND SPECIFICATIONS ARE THE PROPERTY OF ZHEJIANG DASHI TECHNOLOGY CO., LTD. AND SHALL NOT BE REPRODUCED OR TRANSMITTED IN ANY FORM OR BY ANY MEANS, ELECTRONIC OR MECHANICAL, INCLUDING PHOTOCOPYING, RECORDING, OR BY ANY INFORMATION STORAGE AND RETRIEVAL SYSTEM. ALL RIGHTS RESERVED. THE PAPER MATERIALS USED IN THIS DRAWING ARE THE PROPERTY OF ZHEJIANG DASHI TECHNOLOGY CO., LTD. </small>							
APPD:	DATE:	STAD:	DATE:	CHKD:	DATE:	REV:	MASS (g): 5050684
						SHEET: 1 OF 1	

RELEASE LEVEL: [PROJ_RELEASE]
FILE NAME: 0-DH3-RD001130-0000