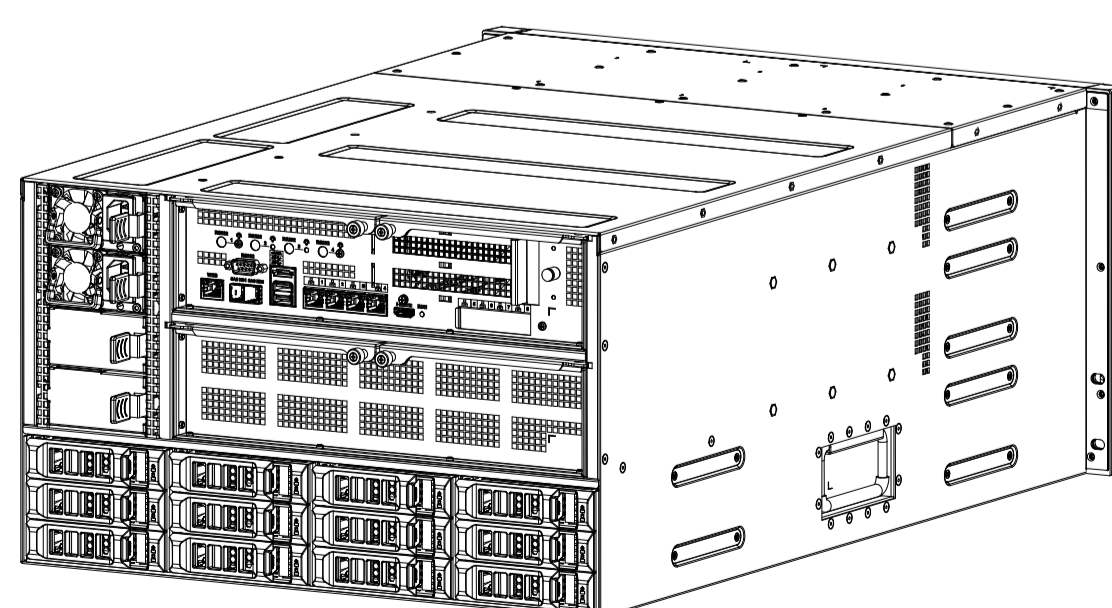
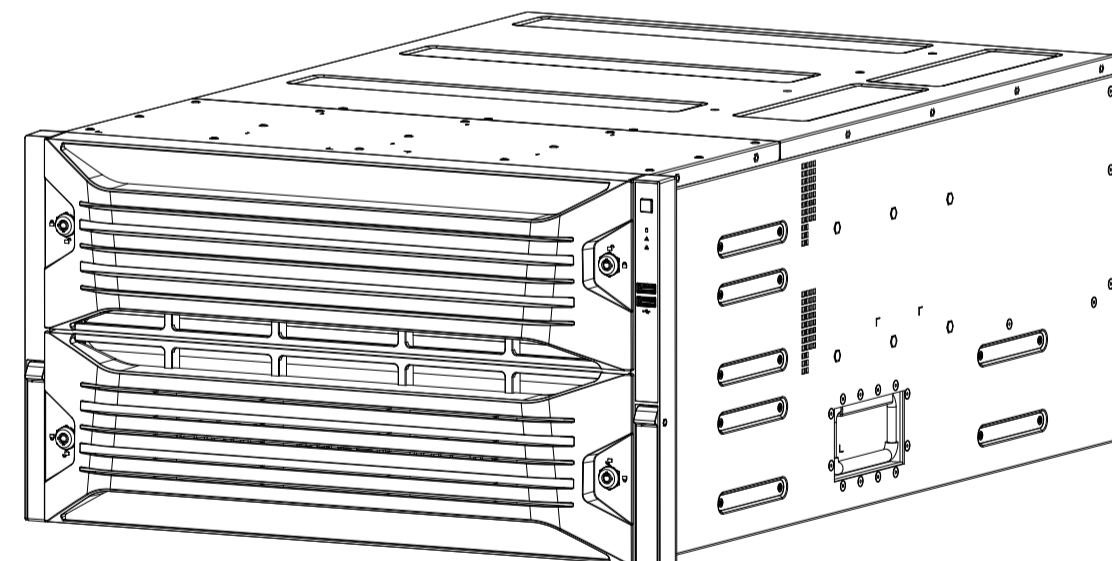
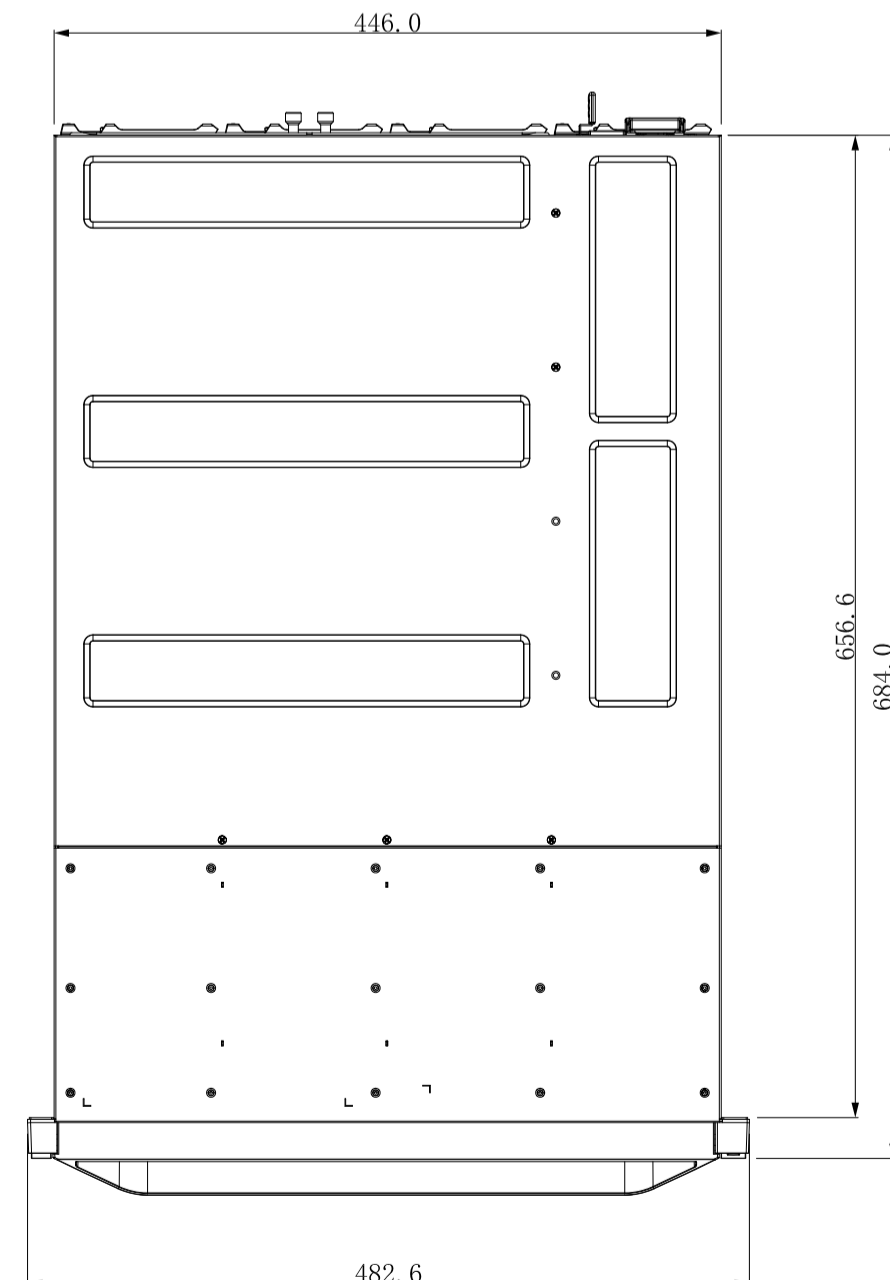
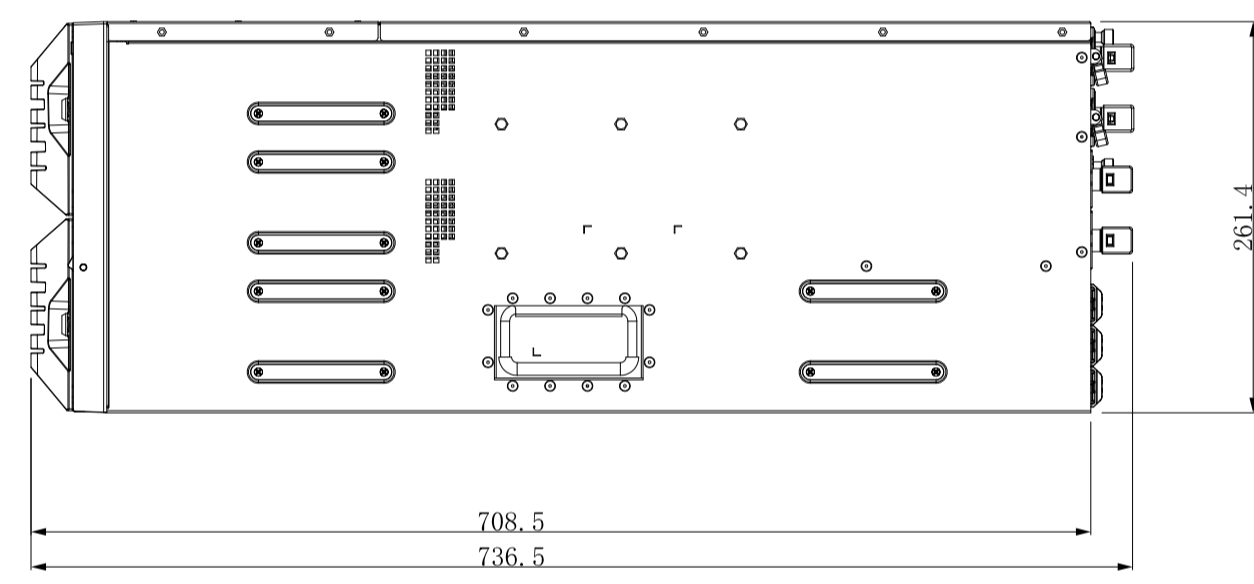
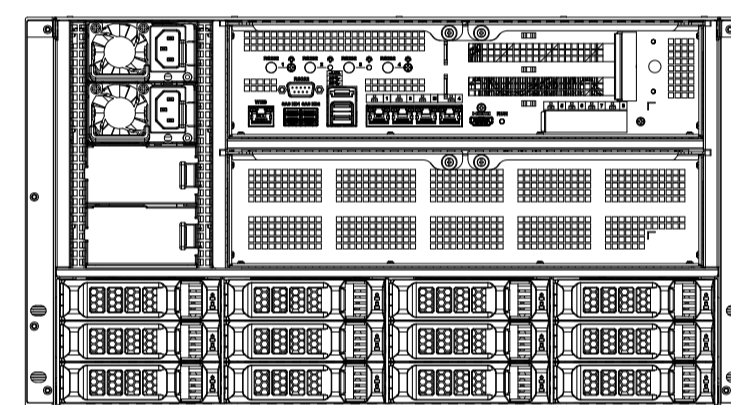
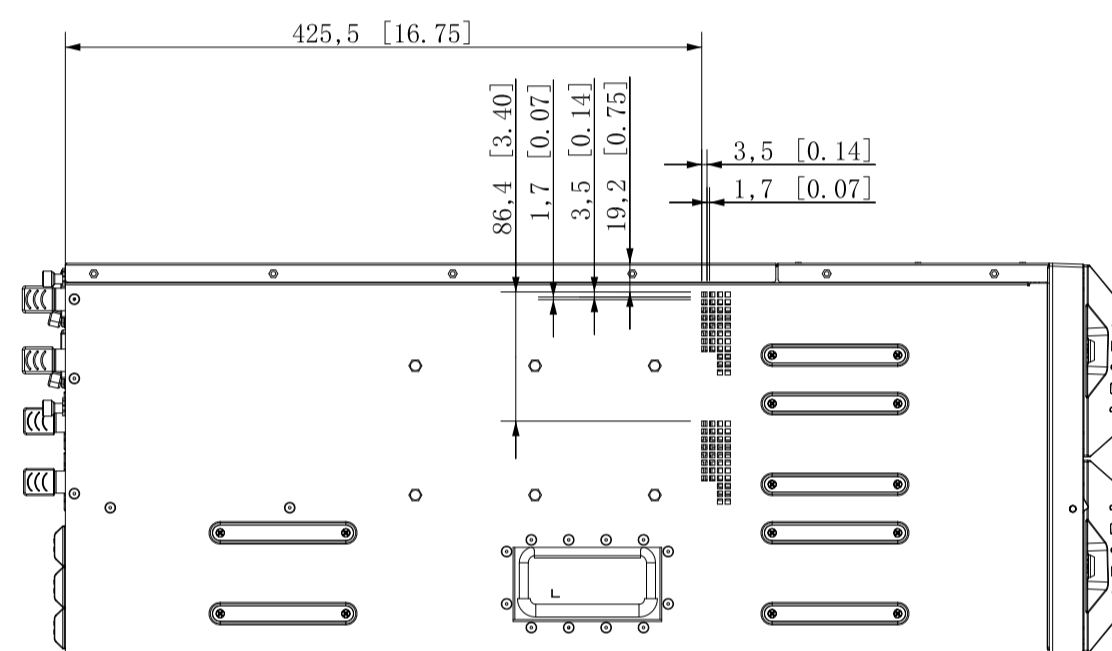
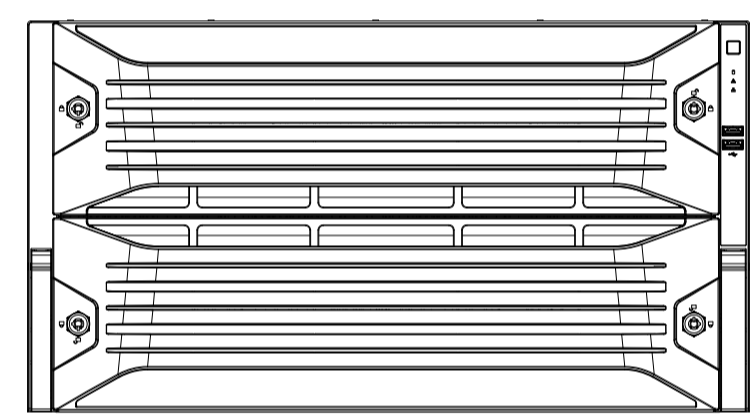
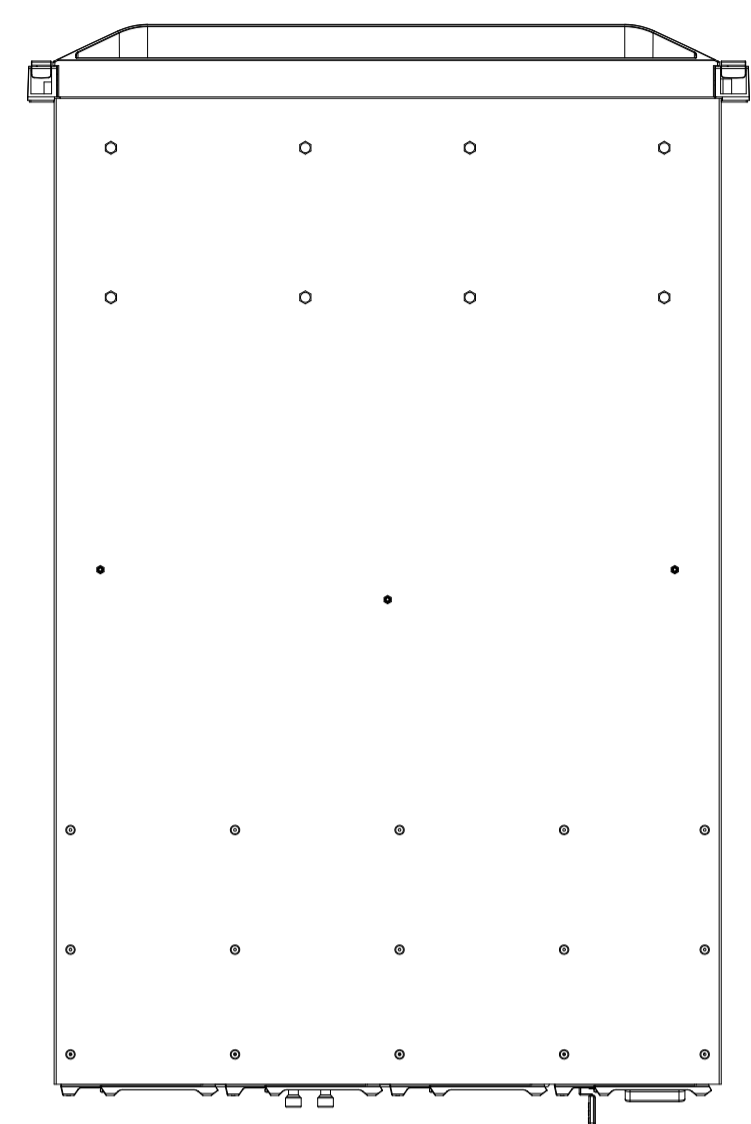


REVISIONS					
REV	ZONE	MARK	DESCRIPTION	DATE	CHANGED



ITEM	DWG NO.	PART NAME	MATERIAL	QTY.	REMARKS
15	DH3-2464-0403-ZZ	S4001-型NRG24硬盘盒面板组件2总装		48	
14	DH3-RD001130-PCB-14	4U-SKL背板		1	
13	DH3-RD001130-PCB-11	4U-SKL背板		1	
12	DH3-RD001130-PCB-05			1	
11	DH3-RD001130-0125	S0601C-01-48盘位机箱左挂耳组件		1	
10	DH3-RD001130-0123	S0601C-01-48盘位机箱前面板组件		1	
9	DH3-RD001130-0102	S0601C-01-48盘位机箱		1	
8	DH3-RD000350-0104	S0205C-01-2U服务器机箱电源板		2	
7	1-2-52-05-10079-000	风扇-8038-L310-2510-4P-PSD1208PMB1-A	其他: 见工程图	4	
6	1-2-19-02-10017	冗余服务器电源-AC100V-CRPS-金手	其他: 见工程图	4	
5	0-DH3-RD001130-0126	S0403C-01-24盘位机箱扩展组件		1	
4	0-DH3-RD001130-0124	S0601C-01-48盘位机箱右挂耳组件		1	
3	0-DH3-RD001130-0123	S0601C-01-48盘位机箱前面板组件总装		1	
2	0-DH3-RD001130-0104	主控盒总装		2	
1	0-DH3-RD001130-0002_SKE	skeltemp	PC: 帝人-L-12502100	1	

.X	±0.2	ANGLE	±0.5	TITLE
.XX	±0.15			EV571-24盘位机箱
.XXX	±0.05	ANG	±0.5	

THESE DIMENSIONS AND SPECIFICATIONS ARE THE PROPERTY OF ZHEJIANG DASHI TECHNOLOGY CO., LTD. AND SHALL NOT BE REPRODUCED OR TRANSMITTED IN ANY FORM OR BY ANY MEANS, ELECTRONIC OR MECHANICAL, INCLUDING PHOTOCOPYING, RECORDING, OR BY ANY INFORMATION STORAGE AND RETRIEVAL SYSTEM. WITHOUT THE WRITTEN PERMISSION OF ZHEJIANG DASHI TECHNOLOGY CO., LTD.

RELEASE LEVEL: [PROJ\_RELEASE]  
FILE NAME: 0-DH3-RD001130-0002

L