

DHI-KTW02

Wi-Fi Villa Door Station & IP Indoor Monitor



Technical Specification

DHI-VT02311R-WP

System

Main Processor	Embedded Processor
Button Type	Mechanical
Interoperability	ONVIF; CGI
Network Protocol	RTSP; DNS; P2P; UPnP; RTP; RTMP; SIP; SSH; HTTP/HTTPS; ONVIF

Basic

Camera	1/2.8" CMOS 2-MP HD camera
Field of View	H: 110°; V: 62°; D: 133°
WDR	120 dB
Noise Reduction	3D NR; 2D NR
Video Compression	H.264; H.265
Video Resolution	Main stream: 720p, WVGA, D1, and CIF Sub stream: 1080p, WVGA, D1, QVGA, and CIF
Video Frame Rate	PAL: 25 fps NTSC: 30 fps
Video Bit Rate	768 kbps–8 Mbps
Light Compensation	Auto IR
Day/Night	Auto (ICR)/Color/B/W; Color/B/W
Audio Compression	G.711a; G.711u; PCM
Audio Input	1
Audio Output	Built-in speaker

Wi-Fi Villa Door Station

- Ultra slim design
- PC and ABS material make it ideal for indoor and outdoor use
- 1/2.8" 2-MP HD CMOS camera
- Offers two-way video call with indoor monitors
- Video and voice messages from visitors can be checked on the indoor monitor
- Video call and unlocking through app
- IR illumination and auto WDR
- Wi-Fi connection
- IP65 rated
- H.264 and H.265
- Unlock with IC card
- PoE power supply

IP Indoor Monitor

- 7" TFT capacitive touchscreen, 1024 × 600
- 6-channel alarm input and 1-channel alarm output
- Wi-Fi connection
- Standard PoE
- Outdoor station and IPC monitor
- H.265 and H.264 video decoding
- High performance & cost-effective



Audio Mode	Two-way audio
Audio Enhancement	Echo suppression/digital noise reduction; Echo suppression; Digital noise reduction
Audio Bit Rate	16 kHz, 16 bit

Function

Communication Mode	Full digital
Unlock Mode	Card; app; indoor monitor
Card Type	IC card
Auto Snapshot	Yes (SD card is inserted in the indoor monitor or door station)
Leave Videos	Yes (SD card is inserted in the indoor monitor or door station)
Web Configuration	Yes
Wi-Fi	Yes
Wireless Standard	IEEE 802.11b; IEEE 802.11g; IEEE 802.11n
Wireless Frequency Range	2.4 GHz
Storage	Micro SD card (max. 256 GB)

Performance

Card Reading Distance	0 cm–3 cm (0"–1.18")
Issue Card Locally	Yes
Casing	PC + ABS

Capacity

Card Capacity	3000
---------------	------

Port

Exit Button	1
Door Status Detection	1
Lock Control	1
Network Port	1 × RJ-45 10/100 Mbps Ethernet port

Alarm

SOS	Yes
-----	-----

General

Appearance color	Light grey
Power Supply	12–33 VDC, 1 A ;Standard PoE
Power Adapter	Optional
Installation	Surface Mount
Certifications	CE; FCC
Accessory	Included: Alarm power ribbon cable, rain cover
Product Dimensions	160 mm × 50 mm × 30 mm (6.30" × 1.97" × 1.18")
Protection	IP65
Operating Temperature	–40 °C to +60 °C (–40 °F to +140 °F)
Operating Humidity	10%–90% (RH), non-condensing
Operating Altitude	0 m–3,000 m (0 ft–9,842.51 ft)
Power Consumption	≤ 3.5 W (standby), ≤ 6 W (working)
Gross Weight	0.4 kg (0.88 lb)
Net Weight	0.18 kg (0.40 lb)

DHI-VTH2621G-WP

System

Main Processor	Embedded processor
Network Protocol	RTSP; RTP; SIP; DNS; SSH

Basic

Screen Type	Capacitive touchscreen
Display	7" TFT
Screen Resolution	1024 × 600
Audio Compression	G.711a; G.711u; PCM
Audio Input	1

Audio Output	Built-in speaker
Audio Mode	Two-way Audio
Audio Enhancement	Echo suppression
Audio Bit Rate	16 kHz; 16 bit

Function

Communication Mode	Full digital
Information Release	Receive and view text information released by the management center
DND Mode	Do not disturb period can be set; Do not disturb mode
Number of Extensions	Villa: 9 Apartment: 4
Wi-Fi	Yes
Wireless Standard	IEEE 802.11b; IEEE 802.11g; IEEE 802.11n
Wireless Frequency Range	2.4 GHz
Wireless Security Encryption	WPA/WPA2; WPA-PSK/WPA2-PSK

Performance

Casing	PC + ABS
--------	----------

Port

Alarm Input	6
Alarm Output	1
Power Output	1 (12 V/200 mA)
Door Bell	Yes (use any alarm input port)
Network	1 × RJ-45 10/100 Mbps Ethernet port

Alarm

SOS	Yes
-----	-----

General

Color	Black
Power Supply	12 VDC 1A Standard PoE
Installation	Surface Mount
Certifications	CE; FCC
Accessory	Bracket and alarm ribbon cable (included)
Dimensions	189.6 mm × 134.6 mm × 26.0 mm (7.50" × 5.30" × 1.00")
Operating Temperature	–10 °C to +55 °C (+14 °F to +131 °F)
Operating Humidity	10%–95% RH (non-condensing)
Operating Altitude	0 m–3,000 m (0 ft–9,842.51 ft)
Power Consumption	≤2 W (standby); ≤6 W (working)
Net Weight	0.34 kg (0.74 lb)
Gross Weight	0.58 kg (1.27 lb)

DHI-KTW02

Ordering Information

Type	Model	Description
KIT	DHI-KTW02	Wi-Fi Villa Door Station& Indoor Monitor

Relevant Products



DHI-VTO2311R-WP



DHI-VTH2621G-WP

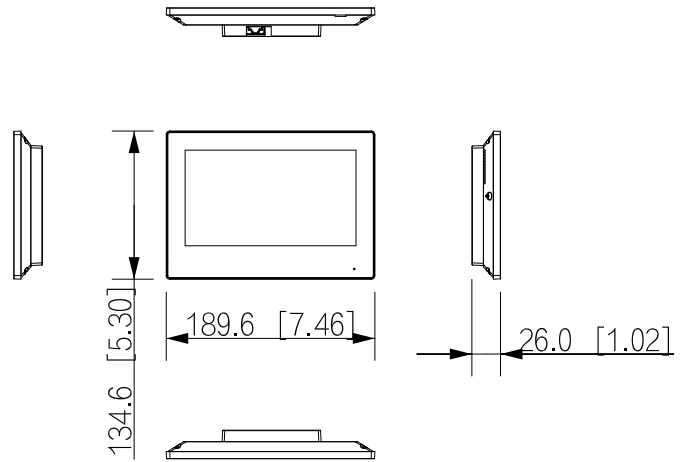
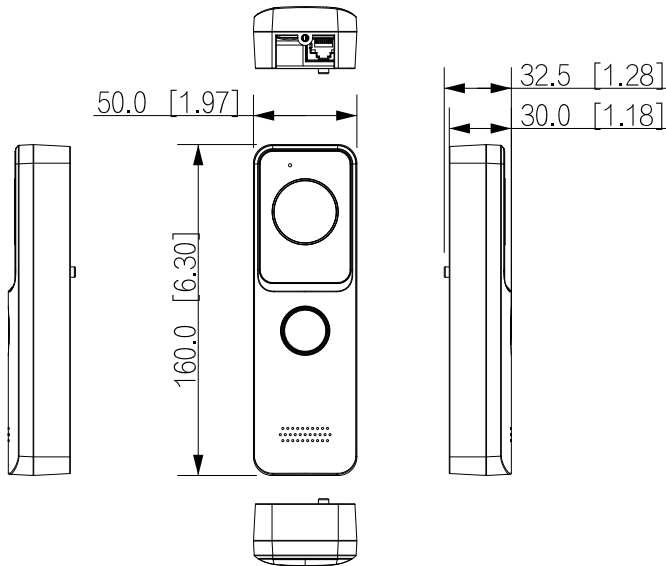


Power Plug



Power adapter

Dimensions (mm[inch])



Application

