

THC-T259-MS 3K ColorVu Audio Turret Camera



- High quality imaging with 3K, 2960 × 1665 resolution
- 24/7 color imaging with F1.0 aperture
- 2.8 mm and 3.6 mm fixed focal lens
- Up to 40 m white light distance for bright night imaging
- High quality audio with audio over coaxial cable
- One port for four switchable signals (TVI/AHD/CVI/CVBS)
- Water and dust resistant (IP66)

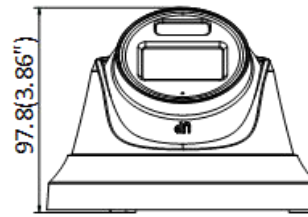
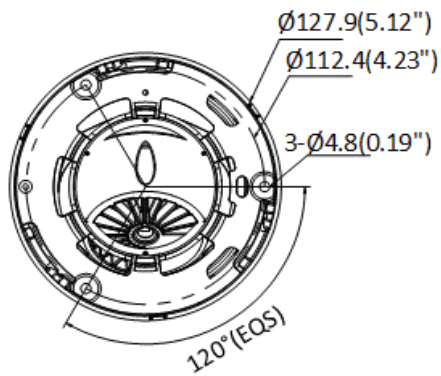
▪ Specification

Camera	
Image Sensor	3K CMOS
Signal System	PAL/NTSC
Resolution	2960 (H) × 1665 (V)
Frame Rate	TVI: 3K @ 20 fps, 4 MP @ 25 fps/30 fps, 1080p @ 25 fps/30 fps AHD: 4 MP @ 25 fps/30 fps CVI: 4 MP @ 25 fps/30 fps CVBS: PAL/NTSC
Min. Illumination	0.001 Lux @ (F1.0, AGC ON), 0 Lux with white light
Shutter Time	PAL: 1/25 s to 1/50,000 s; NTSC: 1/30 s to 1/50,000 s
Lens	2.8 mm/3.6 mm fixed focal lens
Field of View	2.8 mm, horizontal FOV: 113°, vertical FOV: 62°, diagonal FOV: 137° 3.6 mm, horizontal FOV: 88°, vertical FOV: 50°, diagonal FOV: 108°
Lens Mount	M12
Light Alarm	Solid Light Alarm (White Light)
Day & Night	24/7 Color Imaging
WDR (Wide Dynamic Range)	Digital WDR
Angle Adjustment	Pan: 0° to 360°, Tilt: 0° to 75°, Rotation: 0° to 360°
Image	
White Light	Auto/Off
Image Mode	STD/HIGH-SAT/HIGHLIGHT
AGC	Yes
Day/Night Mode	Color
White Balance	Auto/Manual
AE (Auto Exposure) Mode	DWDR, BLC, HLC, Global
Noise Reduction	2D DNR
Language	English
Function	Brightness, Sharpness, Anti-Banding
Lighting Mode	White Light
Interface	
Video Output	Switchable TVI/AHD/CVI/CVBS
General	
Operating Conditions	-40°C to 60°C (-40°F to 140°F), Humidity: 90% or less (non-condensing)
Power Supply	12 VDC ± 25% <i>*You are recommended to use one power adapter to supply the power for one camera.</i>
Consumption	Max. 4.2 W
Protection Level	IP66
Material	Metal
White Light Range	Up to 40 m
Dimension	Φ 127.92 mm × 97.8 mm (Φ 5.04" × 3.86")
Weight	Approx. 480 g (1.06 lb.)

▪ Available Model

THC-T259-MS

▪ Dimension



unit: mm (inch)

▪ Accessory

▪ Optional

HIA-J202 Inclined ceiling Junction Box	HIA-B201 Corner mount	HIA-J103 Junction Box	HIA-B301 Vertical Pole Mount	HIA-B402-130T Wall Mount
